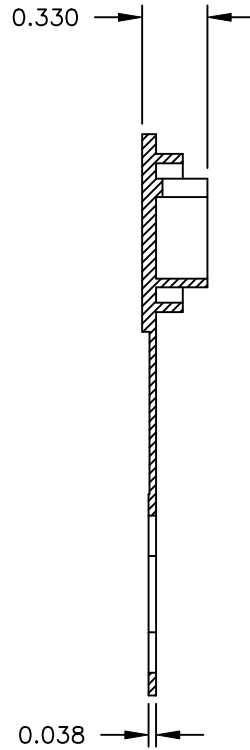
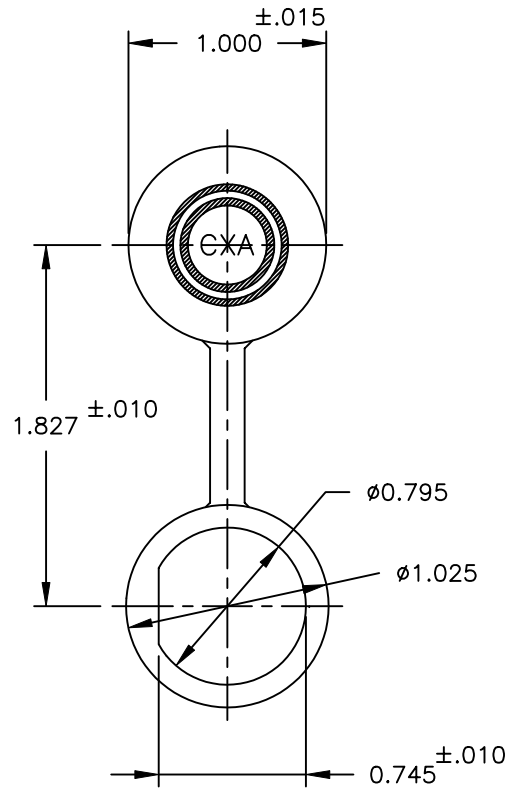


PART NUMBER: 4295

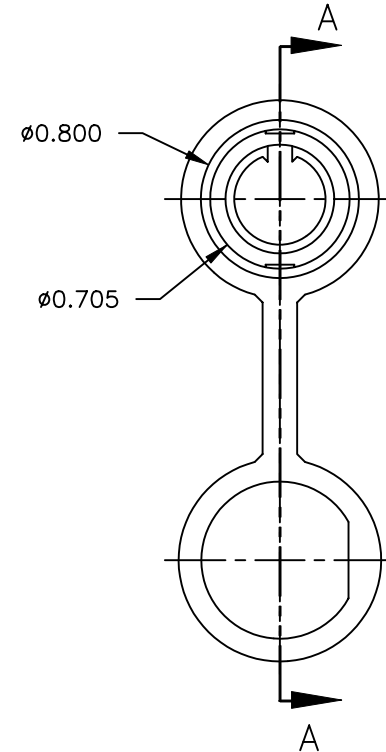
CUSTOMER PRINT

NOTES & SPECIFICATIONS:

1. MATERIAL: PER MSP09 (RUBBER, DURO 87, BLACK)



SECTION A-A



D	RAM	03-16-98	CHANGED DIMENSIONS PER ECR 2592	
REV.	INIT.	DATE	DESCRIPTION	
ALL INFORMATION ILLUSTRATED IS THE PROPERTY OF CONKALL CORPORATION. UNAUTHORIZED DUPLICATION OR DISTRIBUTION OF THIS DOCUMENT IS PROHIBITED.			ORIG. DRAWN BY:	DATE:
ALL UNITS ARE IN FEET, INCHES, FRACTION OF INCHES AND DECIMALS.			R.T.R.	01-27-92
UNLESS OTHERWISE SPECIFIED TOLERANCES: 3 PLACE DECIMALS ±.005 ANGLES ±1° FRACTIONS ±1/16			CHECKED BY:	
▽ = CRITICAL CHARACTERISTIC FLAG PER SPEC. XXXX			APPROVED BY:	
SCALE	SIZE	SHEET	601 E. WILDWOOD VILLA PARK, IL 60181	
NTS	A	1 OF 1	TITLE: 'MULTI-CON-X' DUST COVER	
FILE:	DIRECTORY:	PART NUMBER:	CUSTOMER:	
4295	CMPDWG	4295		
			REV.	D

