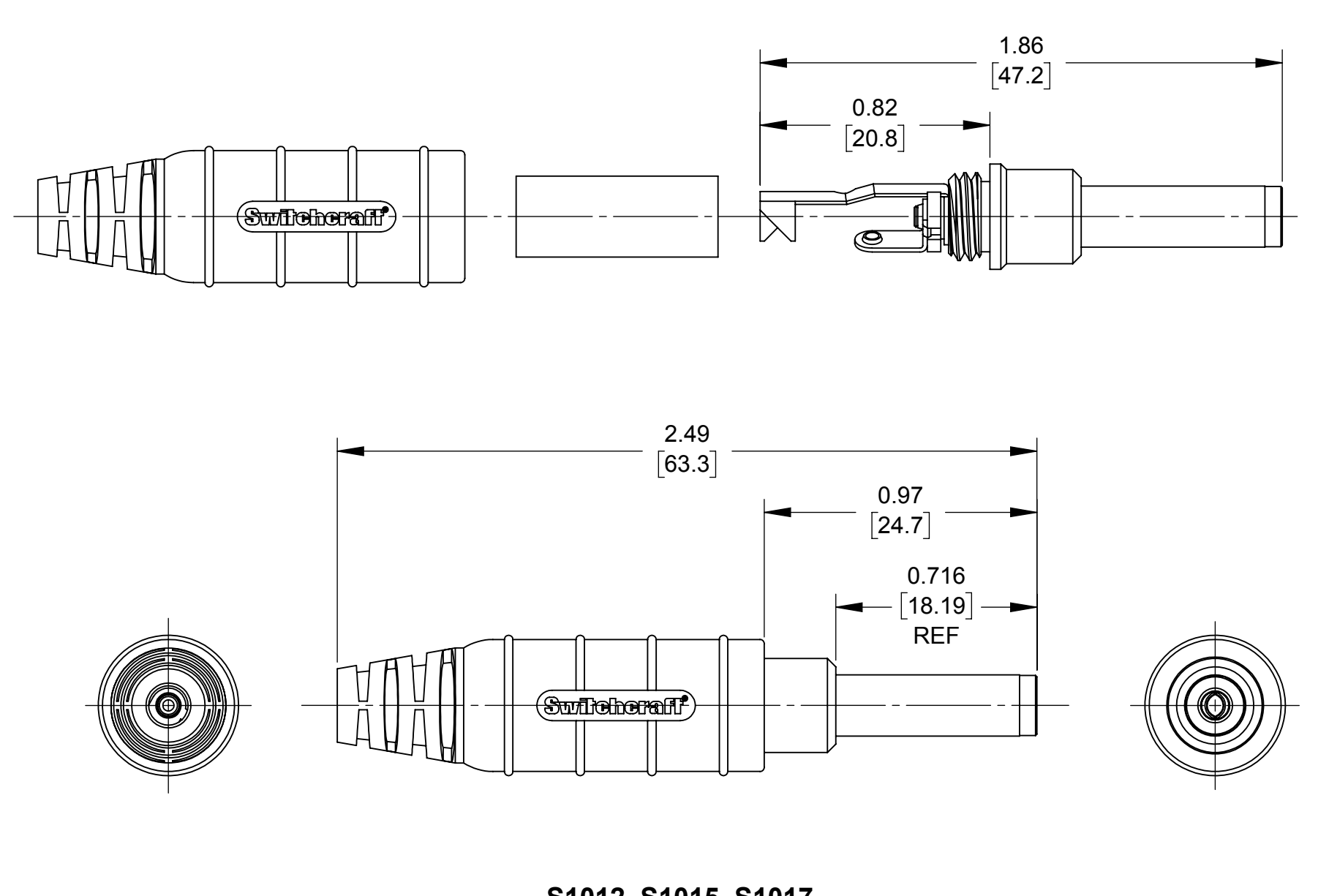
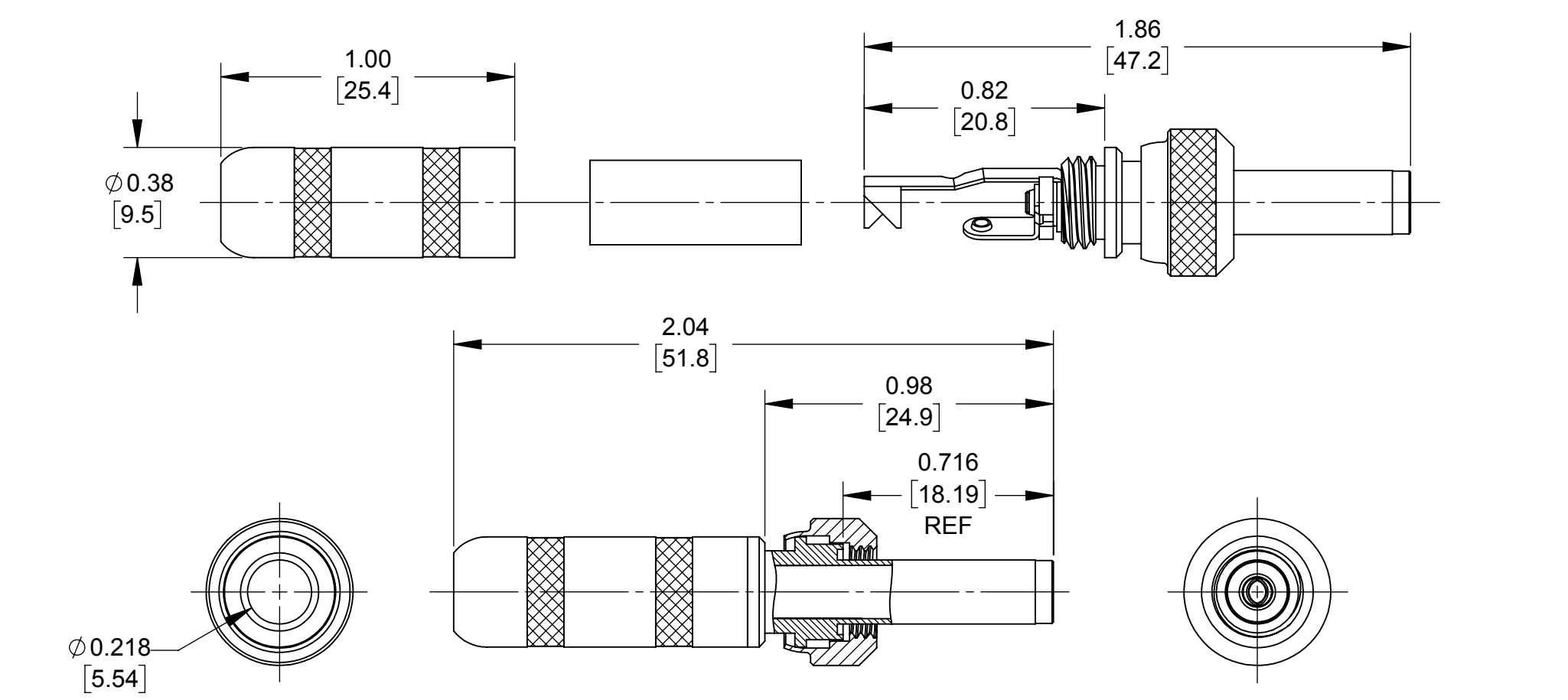


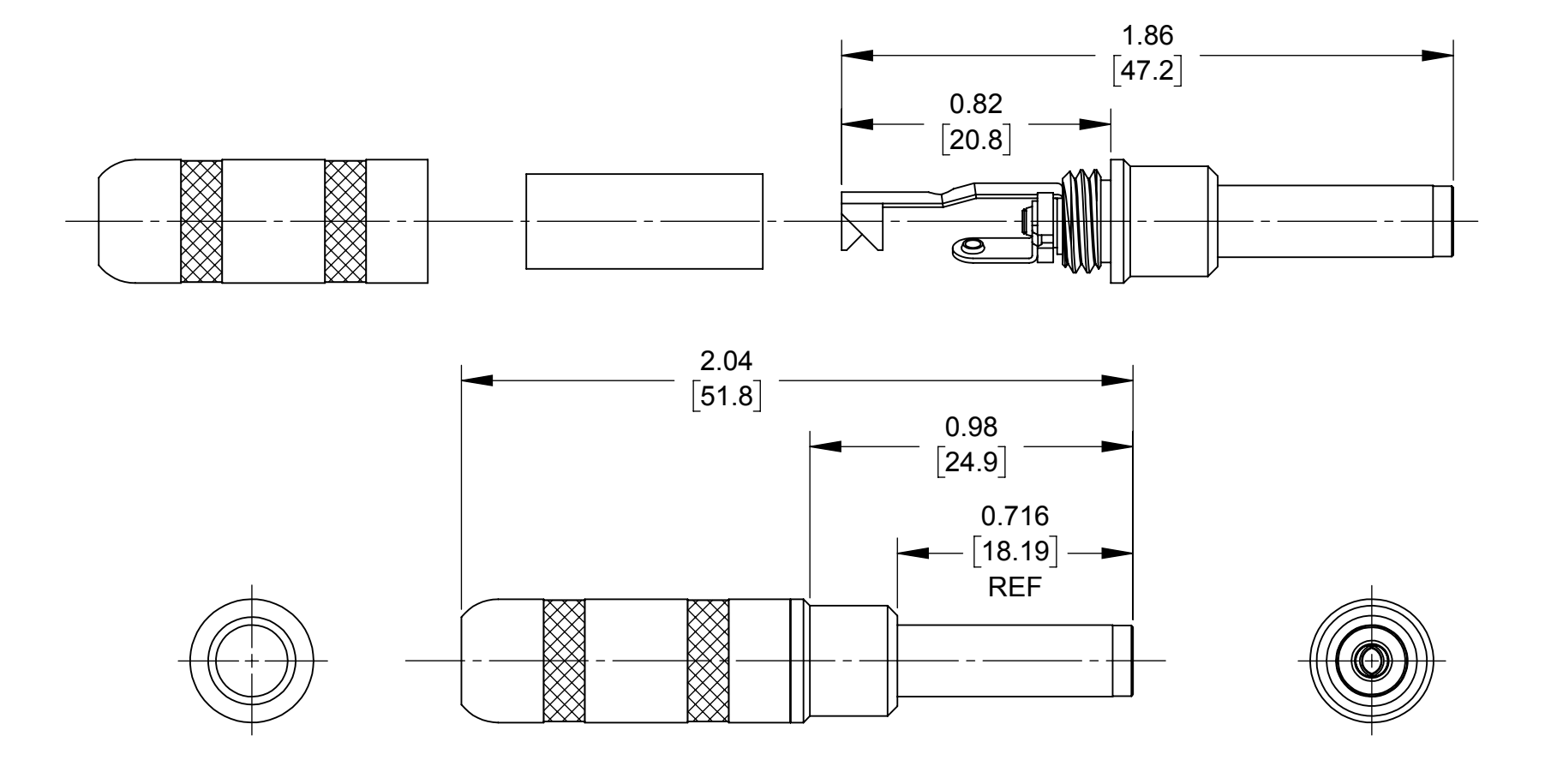
**S10KS12, S10KS15, S10KS17**  
RUBBER SEAL HANDLE, LOCKING, SEALING PLUGS



**S1012, S1015, S1017**  
RUBBER SEAL HANDLE, NON-LOCKING, NON-SEALING PLUGS



**S10K**  
METAL HANDLE, LOCKING, NON-SEALING PLUG



**S10**  
METAL HANDLE, NON-LOCKING, NON-SEALING PLUG

- NOTES:
- HANDLE AND TUBULAR INSULATOR SUPPLIED UNASSEMBLED.
  - MATERIAL:  
 CENTER CONTACT - COPPER ALLOY, SILVER PLATED  
 TERMINALS - COPPER ALLOY, TIN PLATED  
 PLUG BARREL - COPPER ALLOY, NICKEL PLATED  
 COUPLING RING - COPPER ALLOY, NICKEL PLATED  
 METAL HANDLE - COPPER ALLOY, NICKEL PLATED  
 RUBBER SEAL HANDLE - BLACK ELASTOMER  
 TIP INSULATOR - THERMOPLASTIC, BLUE  
 TERMINAL INSULATOR - PHENOLIC  
 TUBULAR INSULATOR - MYLAR  
 O-RING - ELASTOMER, BLACK
  - THESE PRODUCTS ARE RoHS COMPLIANT.

PART NUMBER	HANDLE TYPE	CABLE O.D. RANGE REF	MATING POWER JACKS
S10	METAL	UP TO 0.218"	RAPC10S, RAPC10PS, RASPC10S, RASH10S, RASH10PS, RASM10S, RASM10PS, RASSM10S, RAPC10, RAPC10P, RASPC10, RASH10, RASH10P, RASM10, RASM10P, RASSM10
S10K			
S1012	RUBBER SEAL HANDLE	0.125" - 0.150"	
S1015		0.150" - 0.175"	
S1017		0.175" - 0.210"	
S10KS12	RUBBER SEAL HANDLE	0.125" - 0.150"	
S10KS15		0.150" - 0.175"	
S10KS17		0.175" - 0.210"	

REV	ECO NUMBER	DATE	BY	APVD
A	27139	04/29/13	PC	TJK

REVISIONS

**CUSTOMER DRAWING**

THIS DRAWING DESCRIBES A DESIGN CONSIDERED PROPRIETARY IN NATURE, DEVELOPED AND MANUFACTURED BY SWITCHCRAFT INC. AND IS RELEASED ON A CONFIDENTIAL BASIS FOR IDENTIFICATION PURPOSES ONLY.

SIZE	WIDTH	MULT	LBS/M	TEMPER
UNLESS OTHERWISE SPECIFIED				
1. ALL DIMENSIONS IN INCHES [mm]				
- TWO PLACE DECIMALS ±0.02 [0.5]				
- THREE PLACE DECIMALS ±0.005 [0.13]				
FINISH SPEC No.	FIRST USED ON		SCALE 2:1	
DATE DRAWN	BY	CHKD	APVD	
02/16/12	PNK	02/16/12	01/16/12	
NAME S10 SERIES POWER PLUGS, RoHS				PART No. S10 SERIES
				REV A