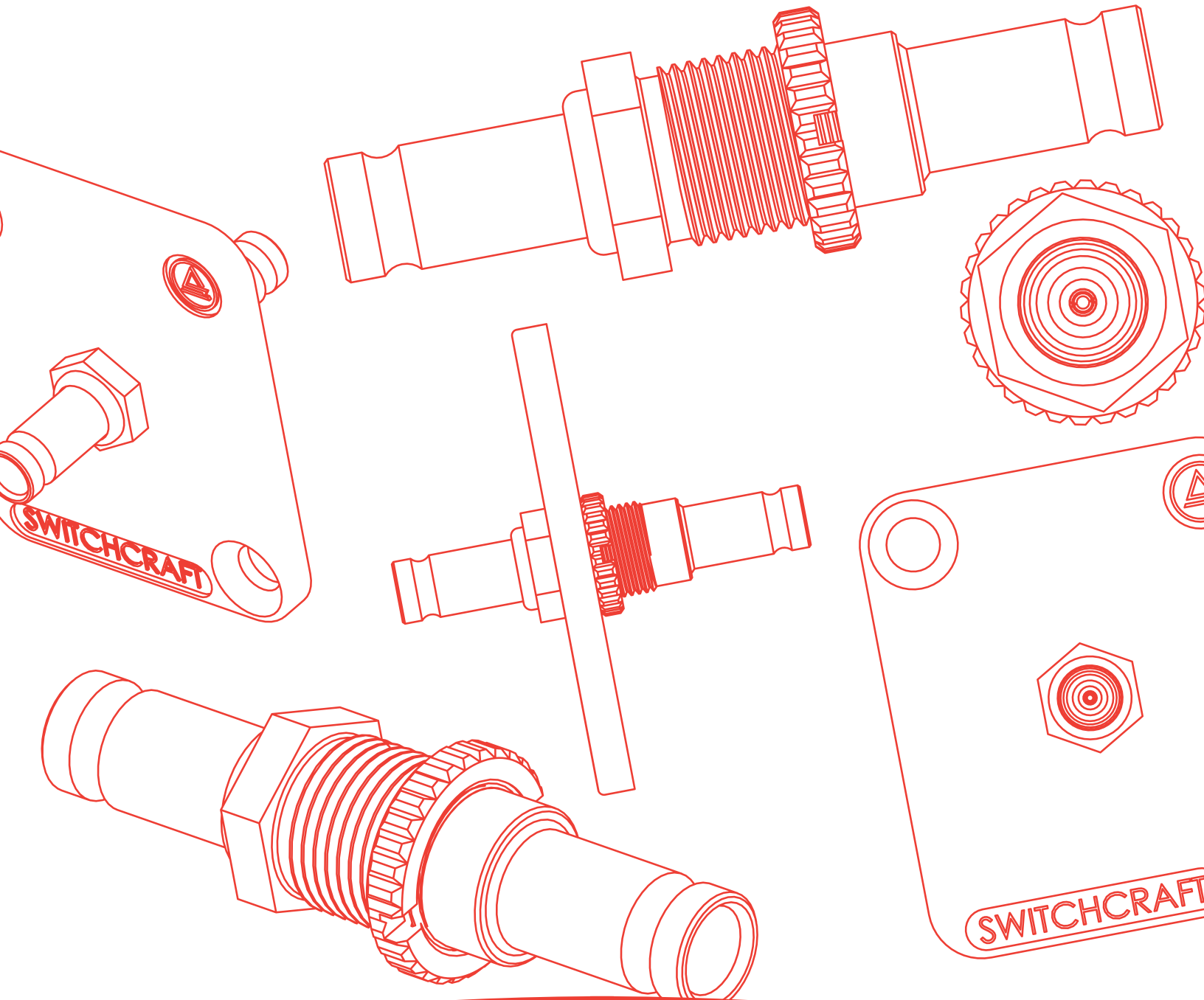


# SWITCHCRAFT®

A H E I C O C O M P A N Y



## EH SERIES: EH DIN 1.0/2.3 FEED-THRU

NPB | 615

# EH SERIES: EH DIN 1.0/2.3 FEED-THRU

NPB | 615



## NEW OPTION

Switchcraft is proud to introduce its newest option, the Female/Female DIN 1.0/2.3 coupler panel mount, to the EH series of audio, video and data connectors. The EH Series is an extensive line of panel mount connectors used to create custom I/O panels and wall plates for A/V, pro audio, broadcast, mobile production and post production installations.

## FEATURES & BENEFITS

Compatible with Switchcraft® QGPK Series rack panels and WP Series wall plates

All connectors fit into a standard XLR panel cutout

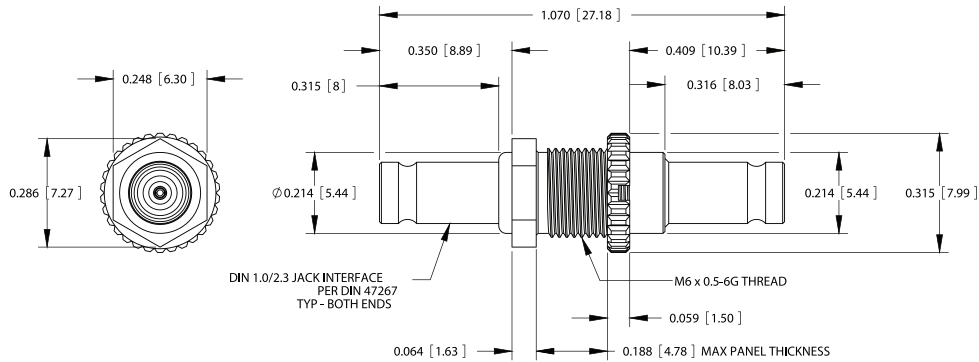
Available in nickel plated or black finish  
EH flange

Available individually or bagged with mounting screws

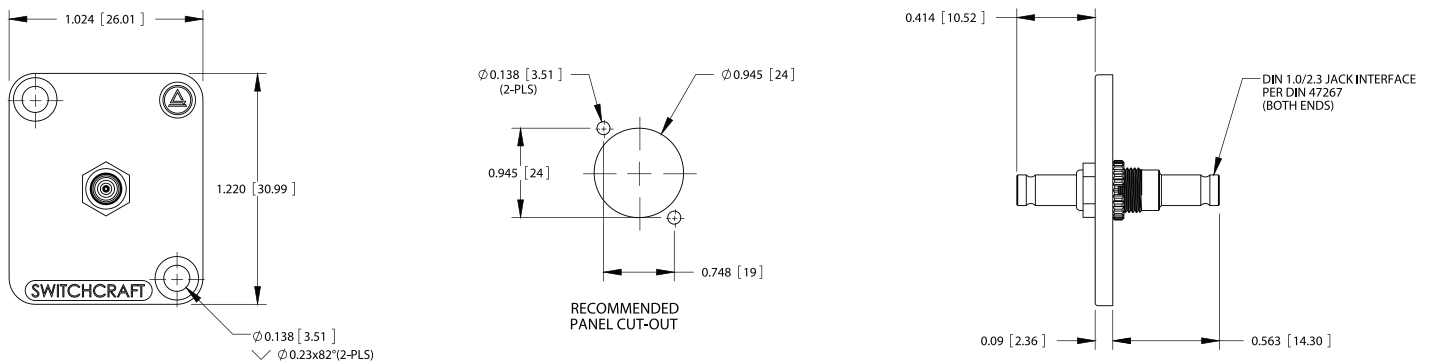
# EH SERIES: EH DIN 1.0/2.3 FEED-THRU

NPB | 615

## DIN 1.0/2.3 FEED-THRU CONNECTOR - PART NUMBER DINFT

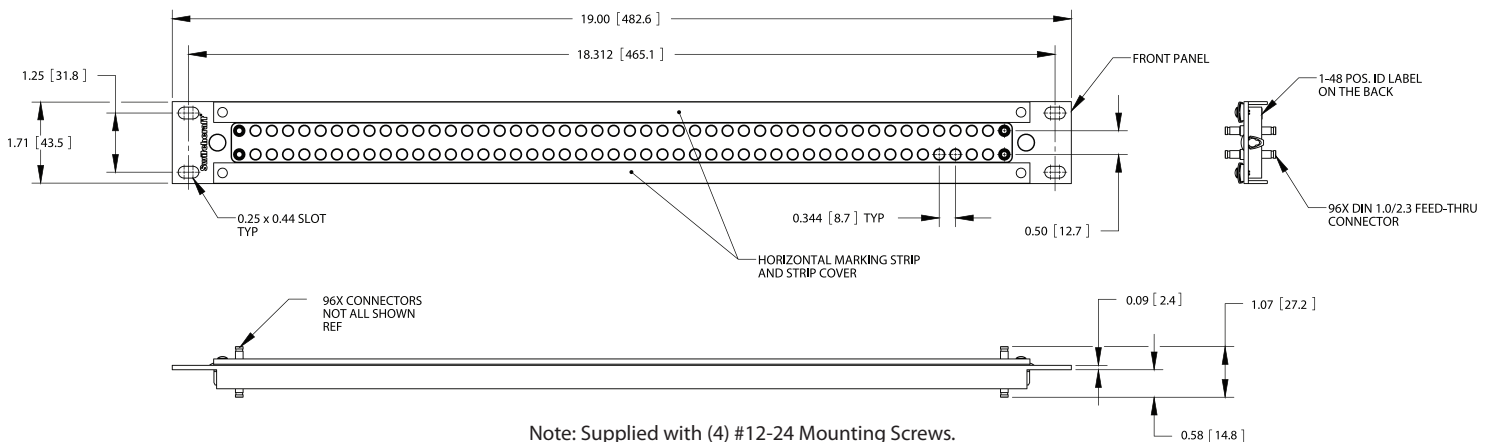


## EH SERIES DIN 1.0/2.3 FEED-THRU - PART NUMBER EHDIN1023X2



Note: For flange mounting screws to be shipped with assembly, add the suffix "PKG" to the part number.

## DIN 1.0/2.3 FEED-THRU PATCHBAY - PART NUMBER DIN96K1D



Note: Supplied with (4) #12-24 Mounting Screws.

UNITS ARE LISTED IN INCHES [mm]. ALL DIMENSIONS ARE REFERENCE ONLY.

# EH SERIES: EH DIN 1.0/2.3 FEED-THRU

NPB | 615

## SPECIFICATIONS

### ELECTRICAL SPECIFICATIONS

Impedance:	75Ω
Frequency Range:	0-3 GHz
W/S Voltage:	Vrms
Insulation Resistance:	1 GΩ min
Contact Resistance:	30 mΩ max (Initial)
Insertion Loss:	-1.0dB max
Return Loss:	per SMPTE 424M

### MECHANICAL SPECIFICATIONS

Operating Temperature:	-40°C to +85°C
Life:	500 cycles min

### MATERIAL

Flange:	Zinc, Alloy
Mounting Nut:	Copper Alloy, Nickel Plated
Front Panel:	Aluminum, Anodized
Insert:	Thermoplastic, Black
Connector Shell:	Copper Alloy, Nickel Plated
Contact:	Copper Alloy, Gold Plated
Insulators:	Thermoplastic
Horizontal Marking Strip:	Thermoplastic, White
Designation Strip Cover:	Thermoplastic, Clear
Key-Hole Clips:	Thermoplastic
Screws:	Steel, Zinc or Nickel Plated

### NOTE

This product is RoHS Compliant.