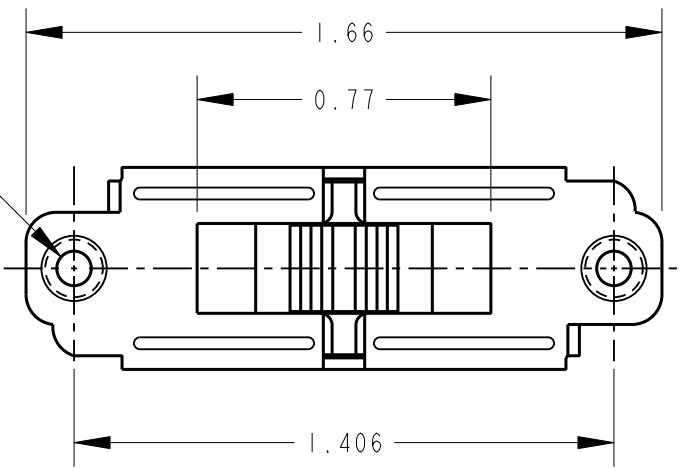
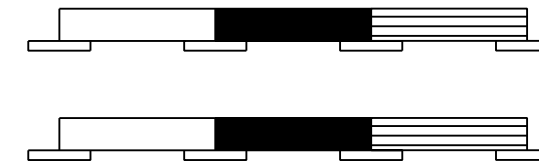


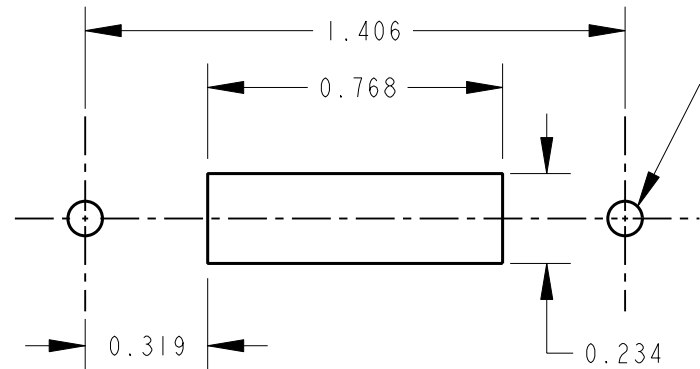
#4-40 THREADED MOUNTING HOLES (2)



SCHEMATIC

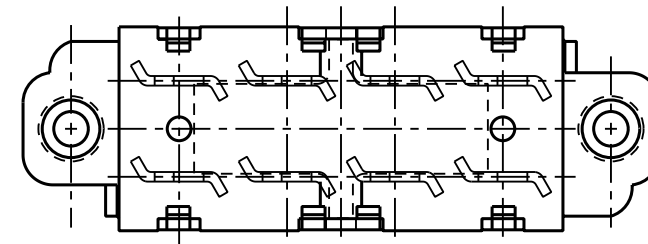
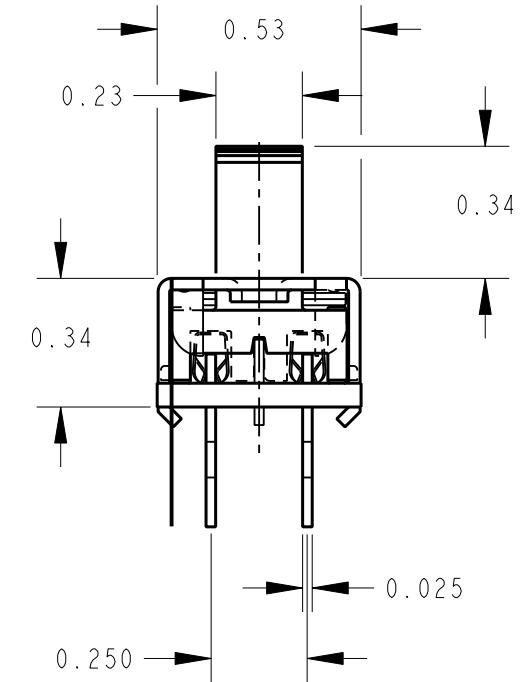
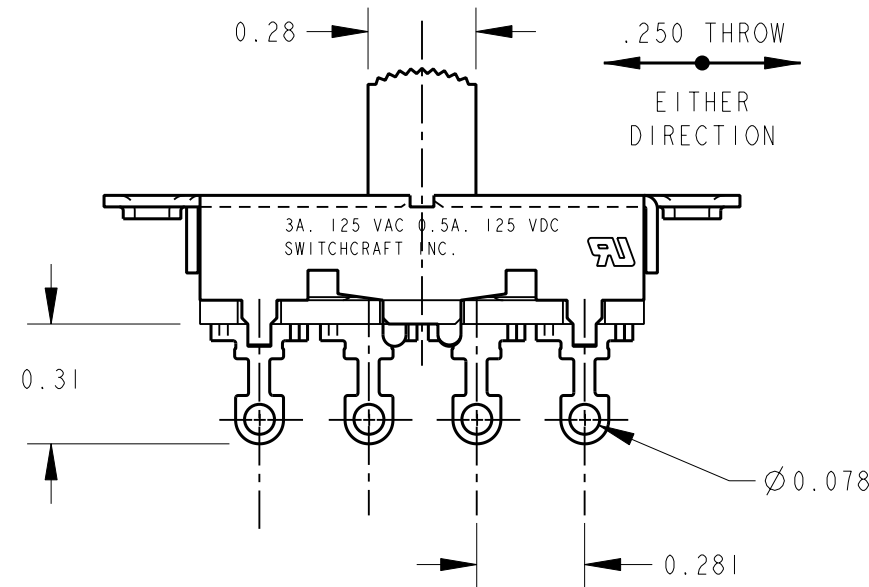


DOUBLE POLE - TRIPLE THROW



RECOMMENED PANEL CUT-OUT

CLEARANCE HOLE FOR #4-40 SCREW TYP (2)



CUSTOMER DRAWING

NOTES:

- MATERIALS:
HOUSING - STEEL, ZINC PLATED
TERMINAL BOARD - PHENOLIC
TERMINALS & SLIDERS - BRASS, SILVER PLATED
DETENT SPRING - MUSIC WIRE
KNOB - NYLON, BLACK
SHIMS - THERMOPLASTIC
- ALL DIMENSIONS ARE REFERENCE UNLESS SPECIFIED.
- THIS PRODUCT IS RoHS COMPLIANT.

REV	ECO NUMBER	DATE	BY	APVD
A	26106	9-26-12	TO	TJK
REVISIONS				

- ★ STAR SYMBOL DENOTES CRITICAL DIMENSION
- UNLESS OTHERWISE SPECIFIED
- 1. ALL DIMENSIONS IN INCHES
- TWO PLACE DECIMALS ±0.01
- THREE PLACE DECIMALS ±0.005
- ANGLES ±1°
- ALL DIA. CONCENTRIC WITHIN 0.005 T.I.R.
- 2. FEATURES ON THE SAME CENTERLINE MUST BE ALIGNED WITHIN ±0.002
- 3. REMOVE ALL BURRS

DO NOT SCALE DRAWING

THIS DRAWING DESCRIBES A DESIGN CONSIDERED PROPRIETARY IN NATURE, DEVELOPED AND MANUFACTURED BY SWITCHCRAFT INC. AND IS RELEASED ON A CONFIDENTIAL BASIS FOR IDENTIFICATION PURPOSES ONLY.				
SIZE	WIDTH	MULT	LBS/M	TEMPER
FINISH			MATERIAL	
SPEC No.			SPEC No.	
FIRST USED ON		SCALE NONE		
DATE DRAWN	BY	CHKD	APVD	
26-Sep-12	TO	TO	TJK	
		9-26-12	9-26-12	
NAME			PART No.	REV
3 POSITION SLIDE SWITCH, RoHS			11D1049X	A

Switchcraft

SHEET 1 OF 1