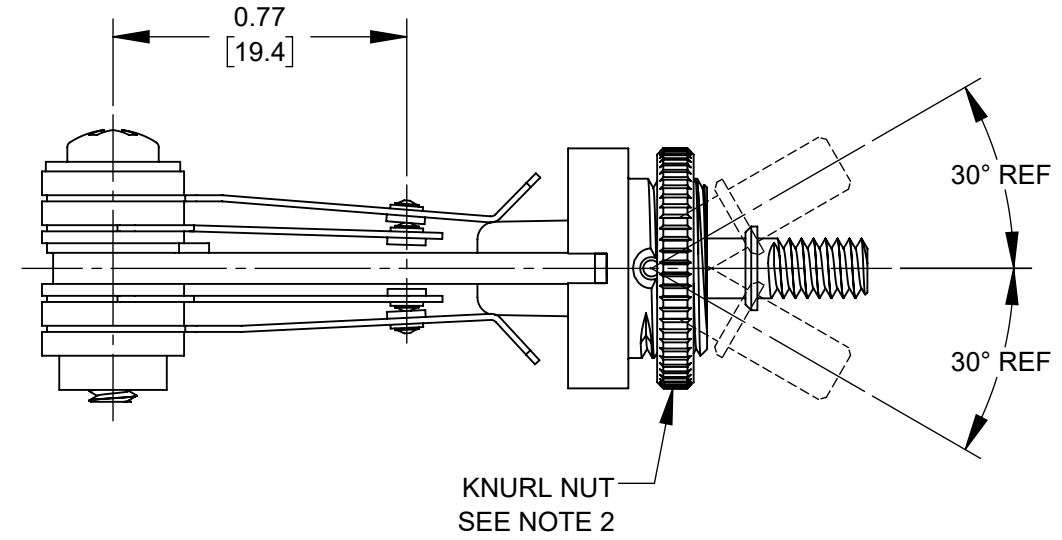
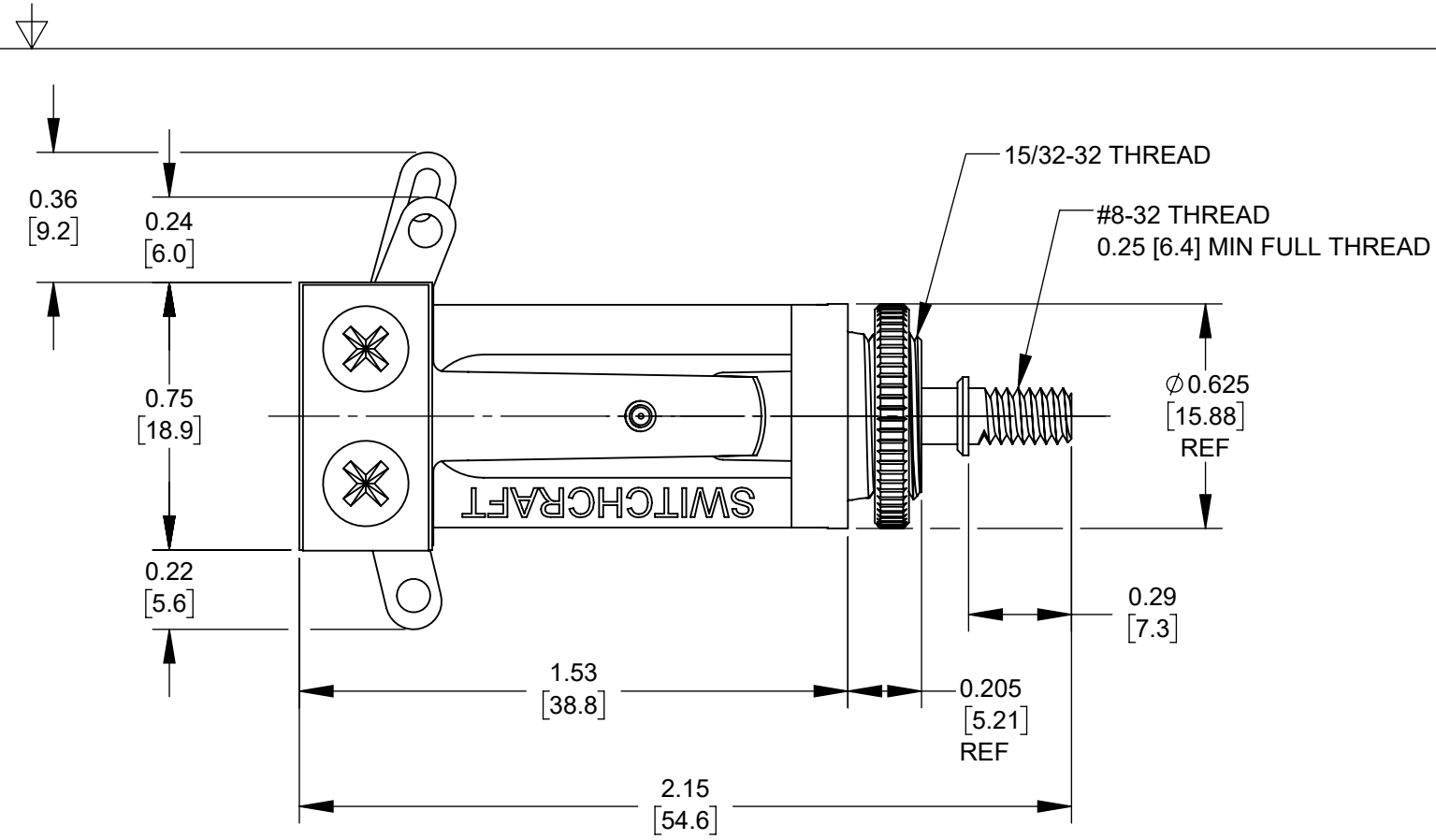
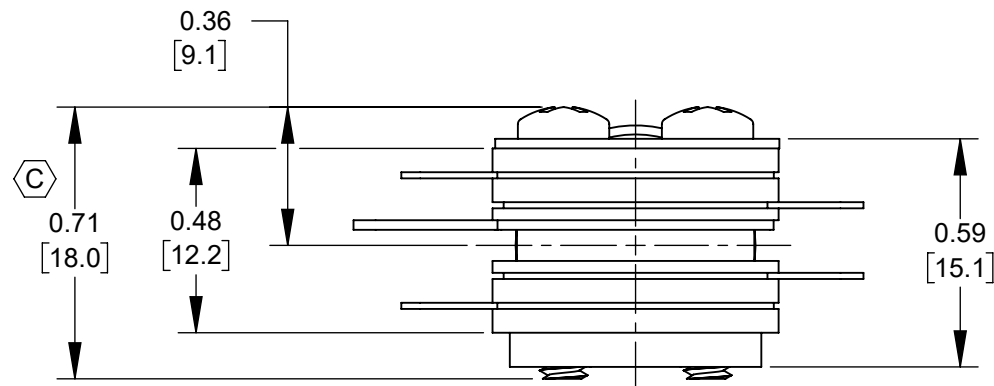


SCHEMATIC



KNURL NUT
SEE NOTE 2

CUSTOMER DRAWING

NOTES:

- MATERIALS:**
 FRAME, BUSHING, SHAFT- COPPER ALLOY, NICKEL PLATED
 SHAFT INSULATOR - NYLON
 PIN - STAINLESS STEEL
 SPRINGS - SPRING TEMPERED, NICKEL SILVER
 CONTACTS - FINE SILVER
 SPACERS - PHENOLIC
 TUBING - THERMOPLASTIC
 PRESSURE PLATE - STEEL, NICKEL PLATED
 TWIN NUT - STEEL, NICKEL PLATED
 SCREWS - STEEL, NICKEL PLATED
 HARDWARE:
 KNURLED NUT - COPPER ALLOY, NICKEL PLATED

- HARDWARE SHIPPED UNASSEMBLED.
- THIS PRODUCT IS RoHS COMPLIANT.

REV	ECO NUMBER	DATE	BY	APVD
C	28409	07-09-21	PC	TJK
B	26978	06-28-12	PC	TJK
A	26240	02-23-07	PC	TJK

UNLESS OTHERWISE SPECIFIED

1. ALL DIMENSIONS IN INCHES [mm]
 - TWO PLACE DECIMALS ±0.02 [0.5]
 - THREE PLACE DECIMALS ±0.005 [0.13]

DO NOT SCALE DRAWING

THIS DRAWING DESCRIBES A DESIGN CONSIDERED PROPRIETARY IN NATURE, DEVELOPED AND MANUFACTURED BY SWITCHCRAFT INC. AND IS RELEASED ON A CONFIDENTIAL BASIS FOR IDENTIFICATION PURPOSES ONLY.									
SIZE	WIDTH	MULT	LBS/M	TEMPER					
FINISH					MATERIAL				
SPEC No.					SPEC No.				
FIRST USED ON				SCALE 2:1					
DATE DRAWN	BY	CHKD	APVD	Switchcraft®					
07-16-20	PC	PC	TJK	SHEET 1 OF 1					
NAME				PART No.				REV	
3 POSITION LOCKING				12010X				C	
LONG FRAME LEVER SWITCH, RoHS									