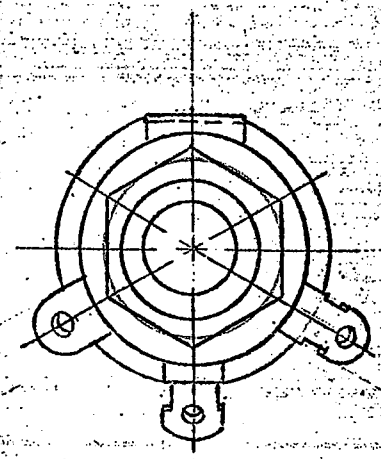
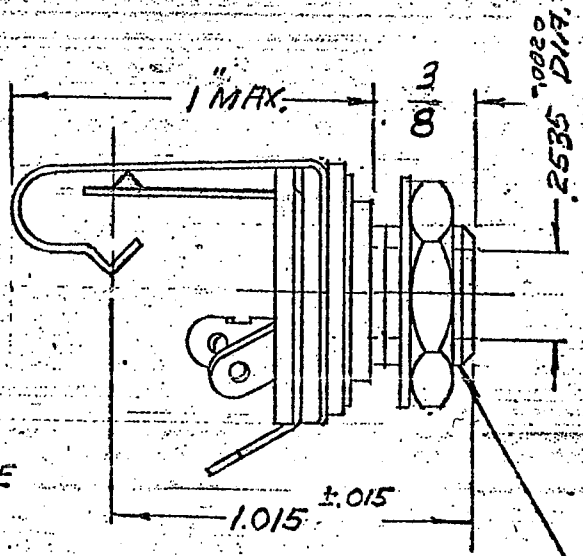
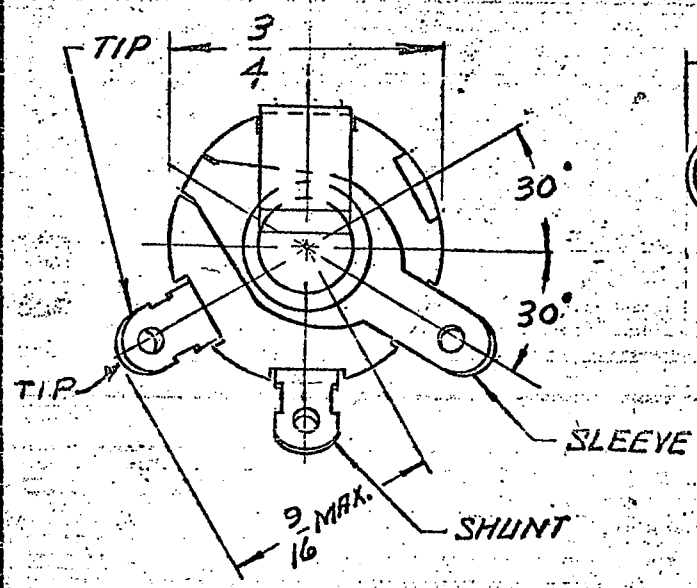


AR

L-12A

Superceeded By
ECO #26696



7/8-32 UNEF-2A TH'D.

CUSTOMER DRAWING

REV	SYA	REVISION	BY	DATE
1		REDRAWN	RT	2-27-64
2		ADD NOTE ECON 14.115	RT	4-11-64
3		ECO # 20627	KS	5-27-64

THIS DRAWING DESCRIBES A DESIGN CONSIDERED PROPRIETARY IN NATURE, DEVELOPED AND MANUFACTURED BY SWITCHCRAFT, INC., AND IS RELEASED ON A CONFIDENTIAL BASIS FOR IDENTIFICATION PURPOSE ONLY.

- UNLESS OTHERWISE SPECIFIED:
- 1- DECIMAL DIMENSIONS ± .005
 - 2- FRACTIONAL DIMENSIONS ± 1/64
 - 3- ANGLES ± 1/2°
 - 4- ALL DIA'S CONCENTRIC WITHIN .005 T.I.R.
 - 5- ALL DIMENSIONS IN INCHES
 - 6- FOR THREADS USE UNIFIED PLUG AND RING GAGES ONLY.
 - 7- REMOVE ALL BURRS.
 - 8- PART TO BE FABRICATED AS SPECIFIED. MAKE NO DIMENSIONAL ALLOWANCES FOR APPLIED FINISHES, I.E., PLATING, PAINTING, ETC.
 - 9- HOLES ON SAME CENTERLINE MUST BE ALIGNED WITHIN ± .002
- DO NOT SCALE DRAWING

DRAWN BY SRT	DATE 4-21-64
CHECKED BY CJD	DATE 5-27-64
APPROVED BY LG	DATE 6-2-64
SCALE 2:1	
FIRST USED ON	
NAME LITTEL-JAX	

FINISH	
PER FINISH SPEC. NO.	
MATERIAL	
PER MAT. SPEC. NO.	
SWITCHCRAFT	
PART NO. L-12A	ISSUE B
SHEET	OF