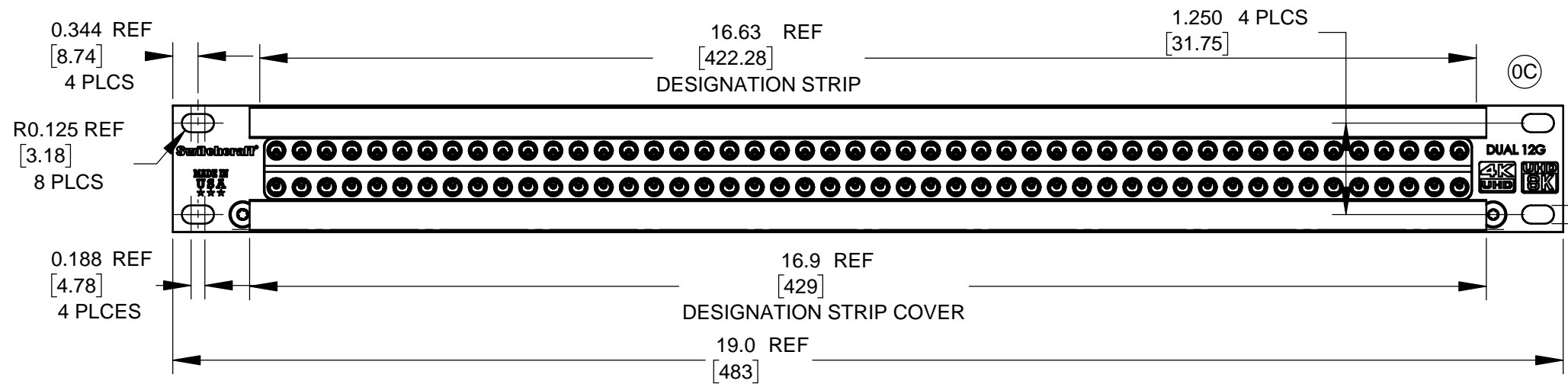
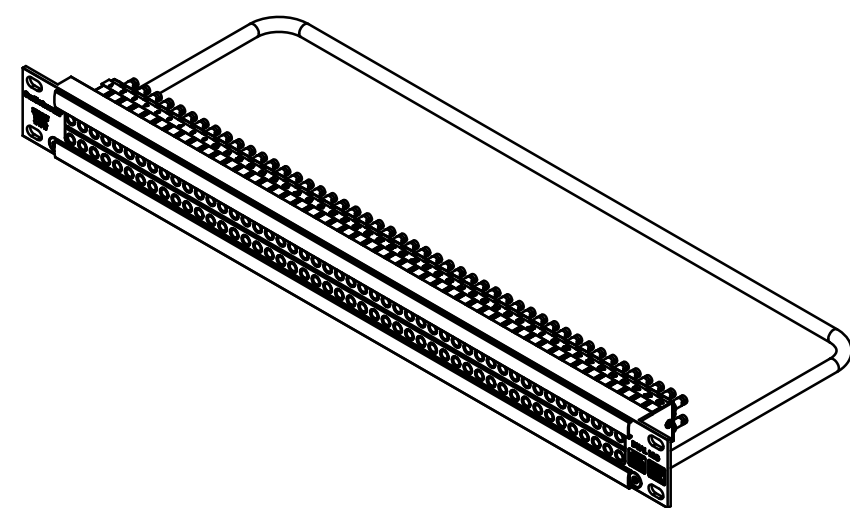


**PRELIMINARY**

- NOTES:
- SPECIFICATIONS:
    - ELECTRICAL:
      - MEETS SMPTE 2082-1
      - CHARACTERISTIC IMPEDANCE: 75 OHMS
      - CONTACT RESISTANCE: LESS THAN 50 MILLIOHMS
    - INTERFACE:
      - MATING PLUG: 0.175 OUTSIDE DIAMETER
      - CENTER CONDUCTOR: ACCEPTS 0.029 PIN DIAMETER
    - MECHANICAL:
      - VIBRATION: PER MIL - STD 202, METHOD 201
      - INSERTION FORCE: 9 LBS MAX.
      - WITHDRAWAL FORCE: 2 LBS MIN.
      - LIFE CYCLE: 20,000 TYP.
      - TEMPERATURE
        - OPERATING: -40 °C TO 65 °C
        - STORAGE: -40 °C TO 65 °C
      - THERMAL SHOCK: PER MIL-STD- 202, METHOD 107
      - MOISTURE AND HUMIDITY: PER MIL-STD- 202, METHOD 106
      - SALT SPRAY: PER MIL-STD- 202, METHOD 101



- USE UHDMBNC STYLE 12 GHz CABLE CONNECTORS AND VMMPUHD PATCHCORDS OR VMMLPUHD LOOPING PLUGS TO MEET SMPTE 2082-1.
- THIS PRODUCT IS RoHS COMPLIANT.



**CUSTOMER DRAWING**

PART NUMBER	DESCRIPTION	REVISION
MMVPMB48K175T	NORMAL-TERMINATED	0C
MMVPMB48K1NNT	NON-NORMAL-NON-TERMINATED	0C

REV	ECO NUMBER	DATE	BY	APVD
0C	CORRECT VIEW & LASER ETCH	12-13-19	SRC	SRC
0B	UPDATE	11-22-19	SRC	SRC

REVISIONS

☆ STAR SYMBOL DENOTES CRITICAL DIMENSION

UNLESS OTHERWISE SPECIFIED

- ALL DIMENSIONS IN INCHES
  - TWO PLACE DECIMALS ±0.01
  - THREE PLACE DECIMALS ±0.005
  - ANGLES ±1°
  - ALL DIA. CONCENTRIC WITHIN 0.005 T.I.R.
- FEATURES ON THE SAME CENTERLINE MUST BE ALIGNED WITHIN ±0.002
- REMOVE ALL BURRS

**DO NOT SCALE DRAWING**

THIS DRAWING DESCRIBES A DESIGN CONSIDERED PROPRIETARY IN NATURE, DEVELOPED AND MANUFACTURED BY SWITCHCRAFT INC. AND IS RELEASED ON A CONFIDENTIAL BASIS FOR IDENTIFICATION PURPOSES ONLY.										
SIZE	WIDTH	MULT	LBS/M	TEMPER						
FINISH		MATERIAL			*					
SPEC No.		SPEC No.			*					
FIRST USED ON			SCALE		1:2					
DATE DRAWN	BY	CHKD	APVD							
5-6-19	SRC	5-6-19	*							
		SRC	*							
NAME				MICRO-MICROBNC-REAR PATCHBAYS			PART No.		REV	
							MMVPMB481K_SERIES		0C	